

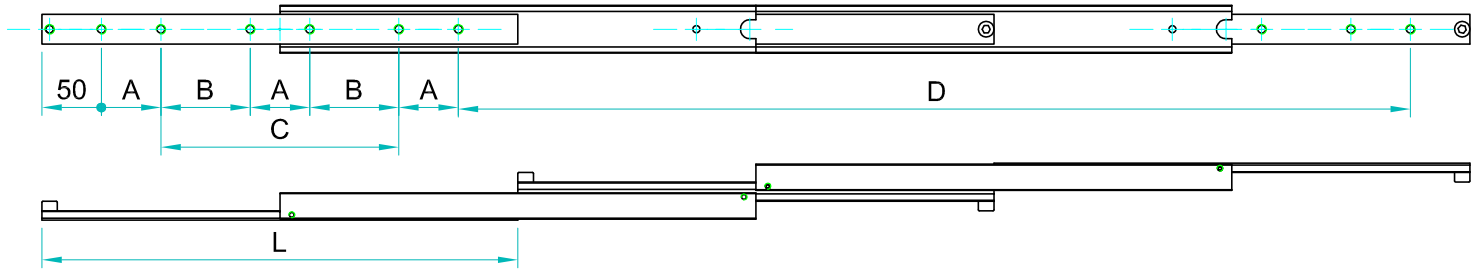
FEDS

TELESCOPIC SLIDES AND LINEAR RAILS

Super extension

Slide type: **ADDTS**

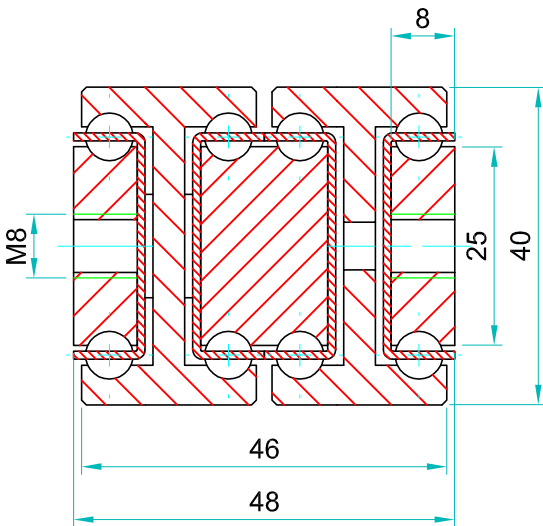
Note: The slide opening and the hole pattern, can be customized according customer's requirements.



Options:

- "V" - V shape channel raceways
- "F" - one outer beam countersunk
- "FF"- both outer beams countersunk

Type: ADDTS-40				Hole pattern		
Article number	Instalacion lenght L	Extension lenght D	Load per pair : kg	"A"	"B"	"C"
ADDTS4048.0200	200	400	38	50	-	-
ADDTS4048.0250	250	500	40	50	-	50
ADDTS4048.0300	300	600	42	50	-	100
ADDTS4048.0350	350	700	44	50	-	150
ADDTS4048.0400	400	800	46	50	-	200
ADDTS4048.0450	450	900	48	50	-	250
ADDTS4048.0500	500	1000	50	50	-	300
ADDTS4048.0550	550	1100	48	50	150	-
ADDTS4048.0600	600	1200	46	50	175	-
ADDTS4048.0650	650	1300	42	50	200	-
ADDTS4048.0700	700	1400	40	50	225	-
ADDTS4048.0750	750	1500	39	50	250	-
ADDTS4048.0800	800	1600	38	50	275	-
ADDTS4048.0850	850	1700	37	50	300	-
ADDTS4048.0900	900	1800	36	50	325	-
ADDTS4048.0950	950	1900	35	50	350	-
ADDTS4048.1000	1000	2000	34	50	375	-
ADDTS4048.1050	1050	2100	33	50	400	-
ADDTS4048.1100	1100	2200	32	50	425	-
ADDTS4048.1150	1150	2300	30	50	450	-
ADDTS4048.1200	1200	2400	28	50	475	-



We recommend use the major axis.

Do not dismantle the slide !

The maximum safe load is given for a fully extended pair of slides, mounted on the major axis with a load spread uniformly along the inner beam. Flat mounted slide load capacities are reduced between 60-80%.

Material:

Beams: EN-AW 6082 T6, anodized acc. BS1615 AA10

Ball cages: 304 stainless sheet steel .

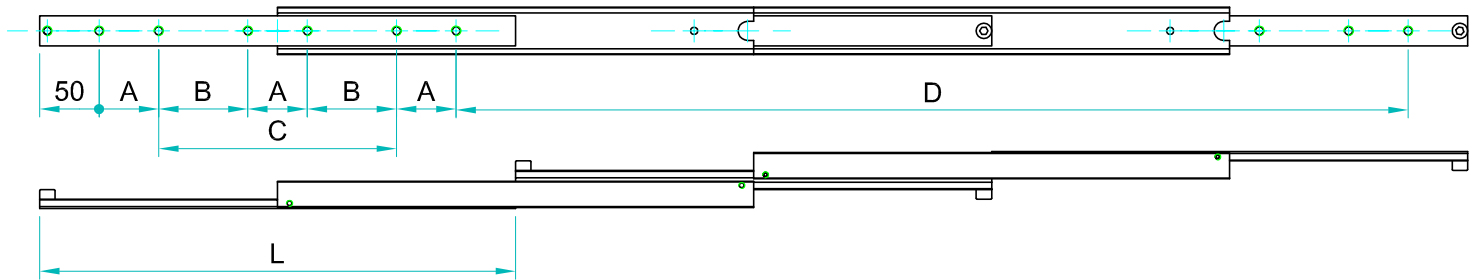
Ball bearings: 316 L

End Bolts: A2

Maximum temperature: We recommend -40 to +200°C with low/high-temp lubrication and free movement to allow for steel expansion.

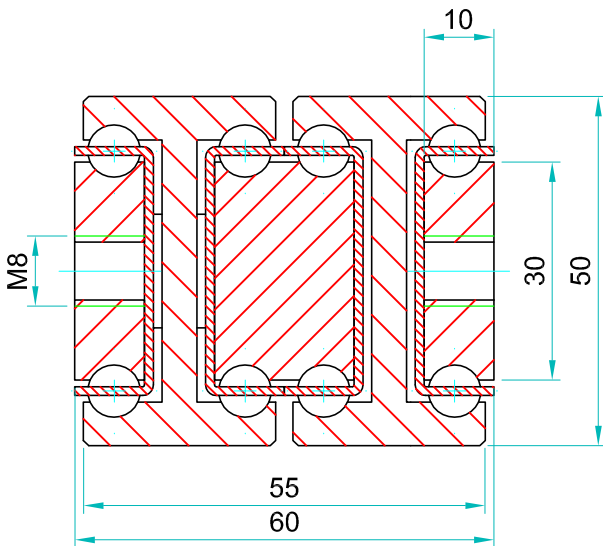


Note: The slide opening and the hole pattern, can be customized according customer's requirements.



Options:

- "V" - V shape channel raceways
- "F" - one outer beam countersunk
- "FF" - both outer beams countersunk



We recommend use the major axis.

Do not dismantle the slide !

The maximum safe load is given for a fully extended pair of slides, mounted on the major axis with a load spread uniformly along the inner beam. Flat mounted slide load capacities are reduced between 60-80%.

Type: ADDTS-50				Hole pattern		
Article number	Instalacion lenght: L	Extension lenght: D	Load per pair : kg	"A"	"B"	"C"
ADDTS5060.0200	200	400	50	50	-	-
ADDTS5060.0250	250	500	55	50	-	50
ADDTS5060.0300	300	600	60	50	-	100
ADDTS5060.0350	350	700	65	50	-	150
ADDTS5060.0400	400	800	70	50	-	200
ADDTS5060.0450	450	900	75	50	-	250
ADDTS5060.0500	500	1000	80	50	-	300
ADDTS5060.0550	550	1100	75	50	150	-
ADDTS5060.0600	600	1200	70	50	175	-
ADDTS5060.0650	650	1300	65	50	200	-
ADDTS5060.0700	700	1400	60	50	225	-
ADDTS5060.0750	750	1500	56	50	250	-
ADDTS5060.0800	800	1600	52	50	275	-
ADDTS5060.0850	850	1700	48	50	300	-
ADDTS5060.0900	900	1800	46	50	325	-
ADDTS5060.0950	950	1900	44	50	350	-
ADDTS5060.1000	1000	2000	42	50	375	-
ADDTS5060.1050	1050	2100	40	50	400	-
ADDTS5060.1100	1100	2200	38	50	425	-
ADDTS5060.1150	1150	2300	36	50	450	-
ADDTS5060.1200	1200	2400	34	50	475	-

Material:

Beams: EN-AW 6082 T6, anodized acc. BS1615 AA10

Ball cages: 304 stainless sheet steel .

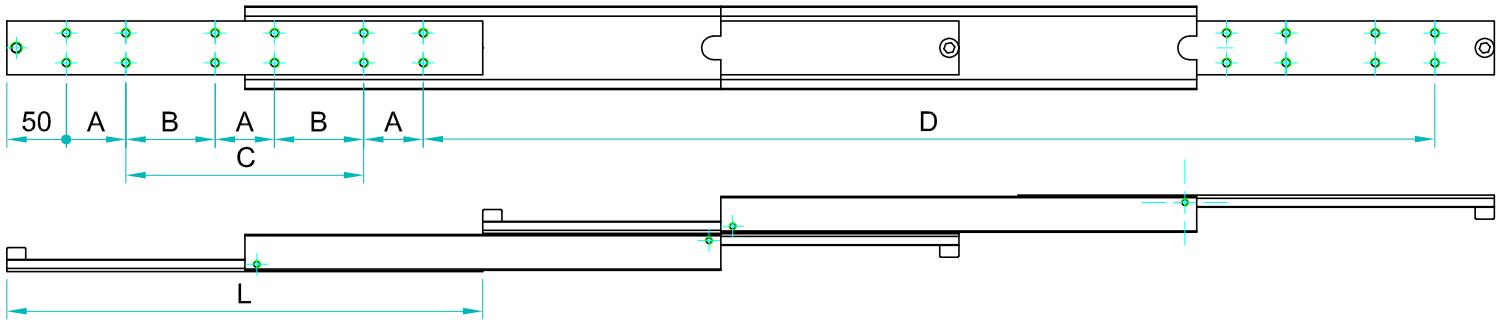
Ball bearings: 316 L

End Bolts: A2

Maximum temperature: We recommend -40 to +200°C with low/high-temp lubrication and free movement to allow for steel expansion.

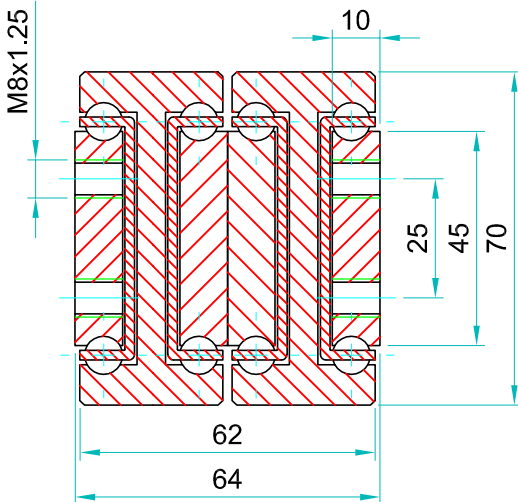


Note: The slide opening and the hole pattern, can be customized according customer's requirements.



Options:

- "V" - V shape channel raceways
- "F" - one outer beam countersunk
- "FF" - both outer beams countersunk



Type: ADDTS-70				Hole pattern		
Article number	Instalacion lenght:L	Extension lenght:D	Load per pair: kg	"A"	"B"	"C"
ADDTS7032.0200	200	200	62	50	-	-
ADDTS7032.0250	250	250	65	50	-	50
ADDTS7032.0300	300	300	70	50	-	100
ADDTS7032.0350	350	350	75	50	-	150
ADDTS7032.0400	400	400	80	50	-	200
ADDTS7032.0450	450	450	85	50	-	250
ADDTS7032.0500	500	500	90	50	-	300
ADDTS7032.0550	550	550	85	50	-	350
ADDTS7032.0600	600	600	80	50	-	400
ADDTS7032.0650	650	650	75	50	200	-
ADDTS7032.0700	700	700	70	50	225	-
ADDTS7032.0750	750	750	65	50	250	-
ADDTS7032.0800	800	800	60	50	275	-
ADDTS7032.0850	850	850	58	50	300	-
ADDTS7032.0900	900	900	56	50	325	-
ADDTS7032.0950	950	950	54	50	350	-
ADDTS7032.1000	1000	1000	52	50	375	-
ADDTS7032.1050	1050	1050	50	50	400	-
ADDTS7032.1100	1100	1100	48	50	425	-
ADDTS7032.1150	1150	1150	46	50	450	-
ADDTS7032.1200	1200	1200	44	50	475	-



We recommend use the major axis.
Do not dismantle the slide !
The maximum safe load is given for a fully extended pair of slides, mounted on the major axis with a load spread uniformly along the inner beam
Flat mounted slide load capacities are reduced between 60-80%

Material:

Beams: EN-AW 6082 T6, anodized acc. BS1615 AA10

Ball cages: 304 stainless sheet steel .

Ball bearings: 316 L

End Bolts: A2

Maximum temperature: We recommend -40 to +200°C with low/high-temp lubrication and free movement to allow for steel expansion.

