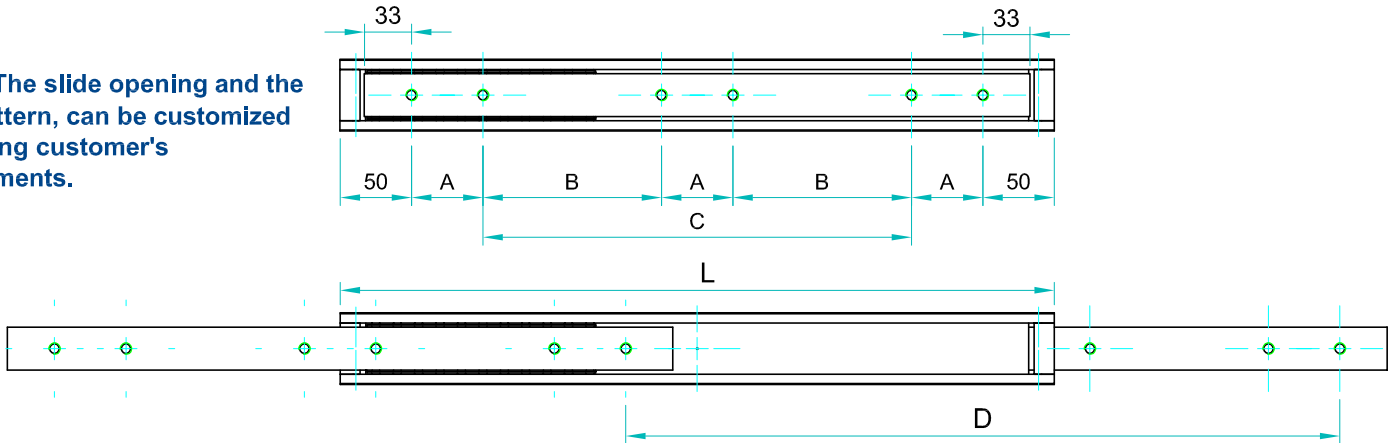




# Bi directional

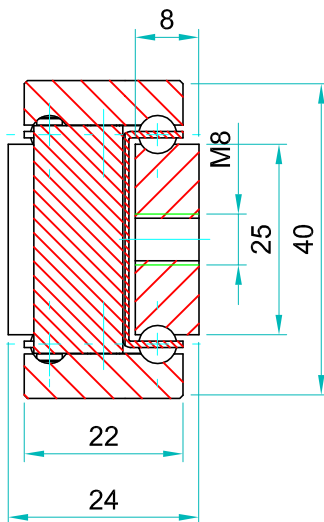
Slide type: **SDTSB**

**Note:** The slide opening and the hole pattern, can be customized according customer's requirements.



**Options:**

- "V" - V shape channel raceways
- "F" - one outer beam countersunk
- "FF"- both outer beams countersunk

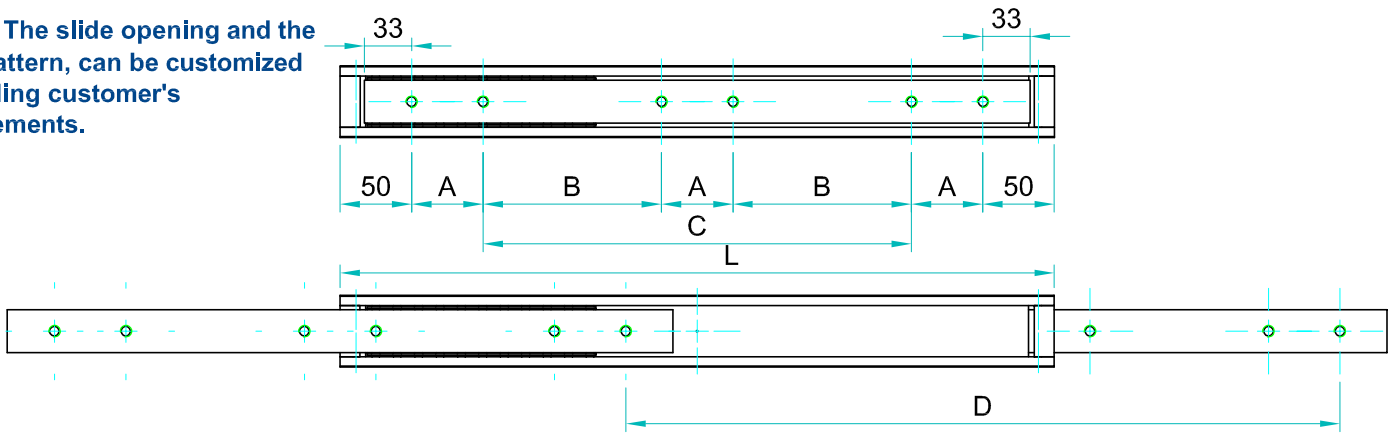


We recommend use the major axis.  
Do not dismantle the slide !  
The maximum safe load is given for a fully extended pair of slides, mounted on the major axis with a load spread uniformly along the inner beam  
Flat mounted slide load capacities are reduced between 60-80%

Type: SDTSB-40				Hole pattern		
Article number	Instalacion lenght: L	Extension lenght: D	Load per pair: kg	"A"	"B"	"C"
SDTSB4024.0200	200	200	140	50	-	-
SDTSB4024.0250	250	250	142	50	-	50
SDTSB4024.0300	300	300	144	50	-	100
SDTSB4024.0350	350	350	146	50	-	150
SDTSB4024.0400	400	400	148	50	-	200
SDTSB4024.0450	450	450	150	50	-	250
SDTSB4024.0500	500	500	152	50	-	300
SDTSB4024.0550	550	550	154	50	150	-
SDTSB4024.0600	600	600	150	50	175	-
SDTSB4024.0650	650	650	145	50	200	-
SDTSB4024.0700	700	700	140	50	225	-
SDTSB4024.0750	750	750	135	50	250	-
SDTSB4024.0800	800	800	130	50	275	-
SDTSB4024.0850	850	850	125	50	300	-
SDTSB4024.0900	900	900	120	50	325	-
SDTSB4024.0950	950	950	115	50	350	-
SDTSB4024.1000	1000	1000	110	50	375	-
SDTSB4024.1050	1050	1050	105	50	400	-
SDTSB4024.1100	1100	1100	100	50	425	-
SDTSB4024.1150	1150	1150	95	50	450	-
SDTSB4024.1200	1200	1200	90	50	475	-
SDTSB4024.1250	1250	1250	85	50	500	-
SDTSB4024.1300	1300	1300	80	50	525	-
SDTSB4024.1350	1350	1350	75	50	550	-
SDTSB4024.1400	1400	1400	70	50	575	-
SDTSB4024.1450	1450	1450	65	50	600	-
SDTSB4024.1500	1500	1500	60	50	625	-
SDTSB4024.1550	1550	1550	55	50	650	-
SDTSB4024.1600	1600	1600	50	50	675	-

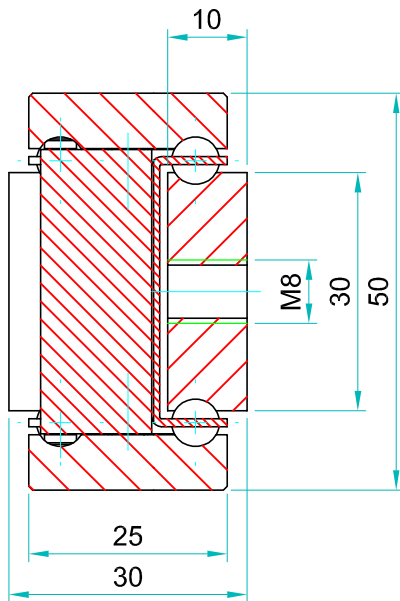
**Material:** All stainless steel parts  
**Beams:** 316 L, milled raceways  
**Ball cages:** 304 stainless sheet steel .  
**Ball bearings:** 316 L  
**End Bolts:** A2  
**Maximum temperature:** We recommend -40 to +200°C with low/high-temp lubrication and free movement to allow for steel expansion.

**Note:** The slide opening and the hole pattern, can be customized according customer's requirements.



**Options:**

- "V" - V shape channel raceways
- "F" - one outer beam countersunk
- "FF"- both outer beams countersunk



We recommend use the major axis.  
Do not dismantle the slide !  
The maximum safe load is given for a fully extended pair of slides, mounted on the major axis with a load spread uniformly along the inner beam  
Flat mounted slide load capacities are reduced between 60-80%

Type: SDTSB-50				Hole pattern		
Article number	Instalacion lenght: L	Extension lenght: D	Load per pair: kg	"A"	"B"	"C"
SDTSB5030.0200	200	200	220	50	-	-
SDTSB5030.0250	250	250	230	50	-	50
SDTSB5030.0300	300	300	240	50	-	100
SDTSB5030.0350	350	350	250	50	-	150
SDTSB5030.0400	400	400	260	50	-	200
SDTSB5030.0450	450	450	270	50	-	250
SDTSB5030.0500	500	500	280	50	-	300
SDTSB5030.0550	550	550	270	50	150	-
SDTSB5030.0600	600	600	260	50	175	-
SDTSB5030.0650	650	650	250	50	200	-
SDTSB5030.0700	700	700	240	50	225	-
SDTSB5030.0750	750	750	230	50	250	-
SDTSB5030.0800	800	800	220	50	275	-
SDTSB5030.0850	850	850	210	50	300	-
SDTSB5030.0900	900	900	200	50	325	-
SDTSB5030.0950	950	950	190	50	350	-
SDTSB5030.1000	1000	1000	180	50	375	-
SDTSB5030.1050	1050	1050	175	50	400	-
SDTSB5030.1100	1100	1100	170	50	425	-
SDTSB5030.1150	1150	1150	165	50	450	-
SDTSB5030.1200	1200	1200	160	50	475	-
SDTSB5030.1250	1250	1250	155	50	500	-
SDTSB5030.1300	1300	1300	150	50	525	-
SDTSB5030.1350	1350	1350	145	50	550	-
SDTSB5030.1400	1400	1400	140	50	575	-
SDTSB5030.1450	1450	1450	135	50	600	-
SDTSB5030.1500	1500	1500	130	50	625	-
SDTSB5030.1550	1550	1550	125	50	650	-
SDTSB5030.1600	1600	1600	120	50	675	-

**Material:** All stainless steel parts

**Beams:** 316 L, milled raceways

**Ball cages:** 304 stainless sheet steel .

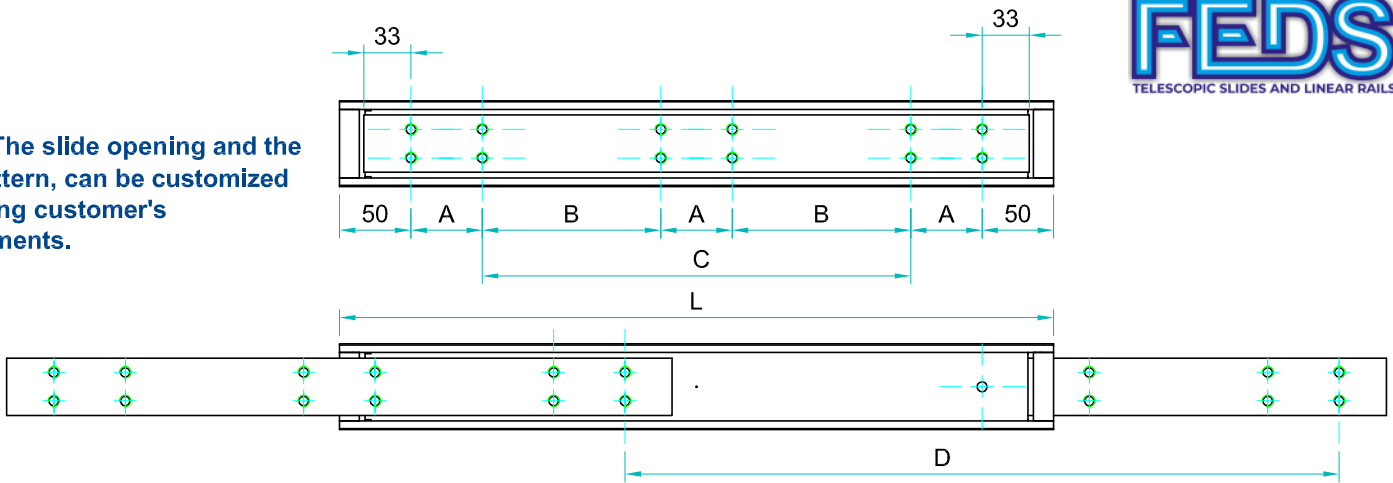
**Ball bearings:** 316 L

**End Bolts:** A2

**Maximum temperature:** We recommend -40 to +200°C with

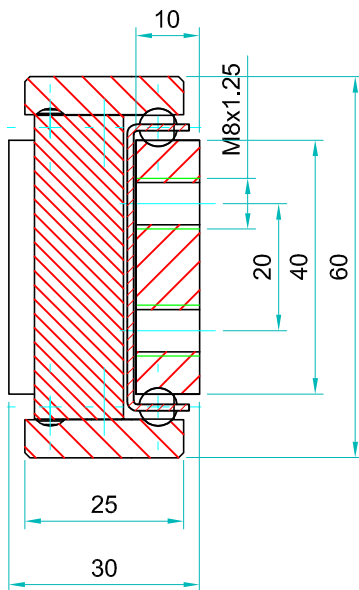
low/high-temp lubrication and free movement to allow for steel expansion.

**Note:** The slide opening and the hole pattern, can be customized according customer's requirements.



**Options:**

- "V" - V shape channel raceways
- "F" - one outer beam countersunk
- "FF"- both outer beams countersunk



We recommend use the major axis.  
Do not dismantle the slide !  
The maximum safe load is given for a fully extended pair of slides, mounted on the major axis with a load spread uniformly along the inner beam  
Flat mounted slide load capacities are reduced between 60-80%

Type:SDTSB-60				Hole pattern		
Article number	Instalacion lenght:L	Extension lenght:D	Load per pair: kg	"A"	"B"	"C"
SDTSB6030.0200	200	200	360	50	-	-
SDTSB6030.0250	250	250	370	50	-	50
SDTSB6030.0300	300	300	380	50	-	100
SDTSB6030.0350	350	350	390	50	-	150
SDTSB6030.0400	400	400	400	50	-	200
SDTSB6030.0450	450	450	410	50	-	250
SDTSB6030.0500	500	500	420	50	-	300
SDTSB6030.0550	550	550	430	50	-	350
SDTSB6030.0600	600	600	440	50	-	400
SDTSB6030.0650	650	650	420	50	200	-
SDTSB6030.0700	700	700	400	50	225	-
SDTSB6030.0750	750	750	380	50	250	-
SDTSB6030.0800	800	800	360	50	275	-
SDTSB6030.0850	850	850	340	50	300	-
SDTSB6030.0900	900	900	320	50	325	-
SDTSB6030.0950	950	950	300	50	350	-
SDTSB6030.1000	1000	1000	280	50	375	-
SDTSB6030.1050	1050	1050	270	50	400	-
SDTSB6030.1100	1100	1100	260	50	425	-
SDTSB6030.1150	1150	1150	250	50	450	-
SDTSB6030.1200	1200	1200	240	50	475	-
SDTSB6030.1250	1250	1250	235	50	500	-
SDTSB6030.1300	1300	1300	230	50	525	-
SDTSB6030.1350	1350	1350	225	50	550	-
SDTSB6030.1400	1400	1400	220	50	575	-
SDTSB6030.1450	1450	1450	215	50	600	-
SDTSB6030.1500	1500	1500	210	50	625	-
SDTSB6030.1550	1550	1550	205	50	650	-
SDTSB6030.1600	1600	1600	200	50	675	-
SDTSB6030.1650	1650	1650	195	50	700	-
SDTSB6030.1700	1700	1700	190	100	650	-
SDTSB6030.1750	1750	1750	185	100	675	-
SDTSB6030.1800	1800	1800	180	100	700	-
SDTSB6030.1850	1850	1850	175	100	725	-
SDTSB6030.1900	1900	1900	170	100	750	-
SDTSB6030.1950	1950	1950	165	100	775	-
SDTSB6030.2000	2000	2000	160	100	800	-

**Material:** All stainless steel parts

**Beams:** 316 L, milled raceways

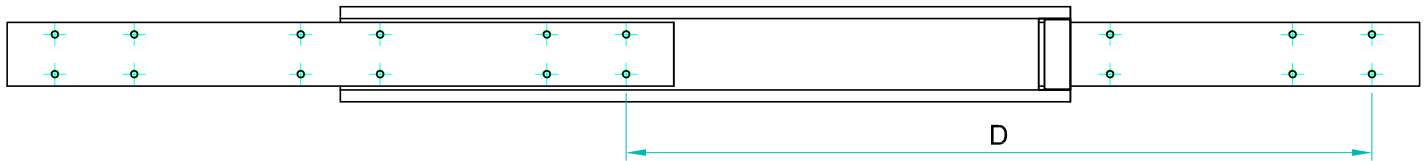
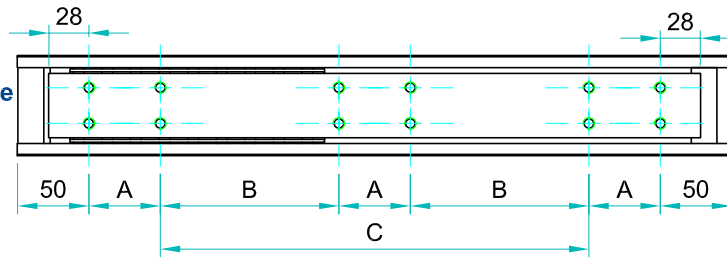
**Ball cages:** 304 stainless sheet steel .

**Ball bearings:** 316 L

**End Bolts:** A2

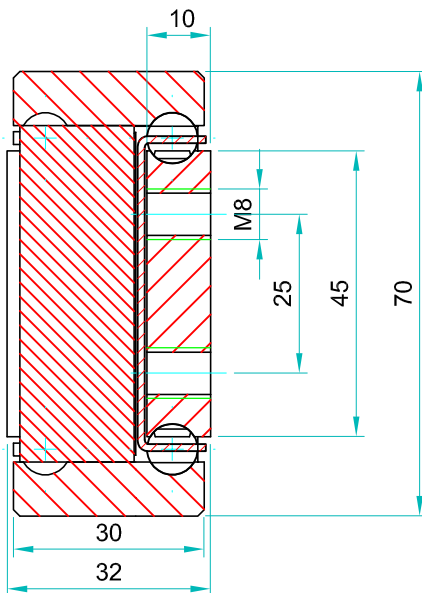
**Maximum temperature:** We recommend -40 to +200°C with low/high-temp lubrication and free movement to allow for steel expansion.

**Note:** The slide opening and the hole pattern, can be customized according customer's requirements.



**Options:**

- "V" - V shape channel raceways
- "F" - one outer beam countersunk
- "FF" - both outer beams countersunk



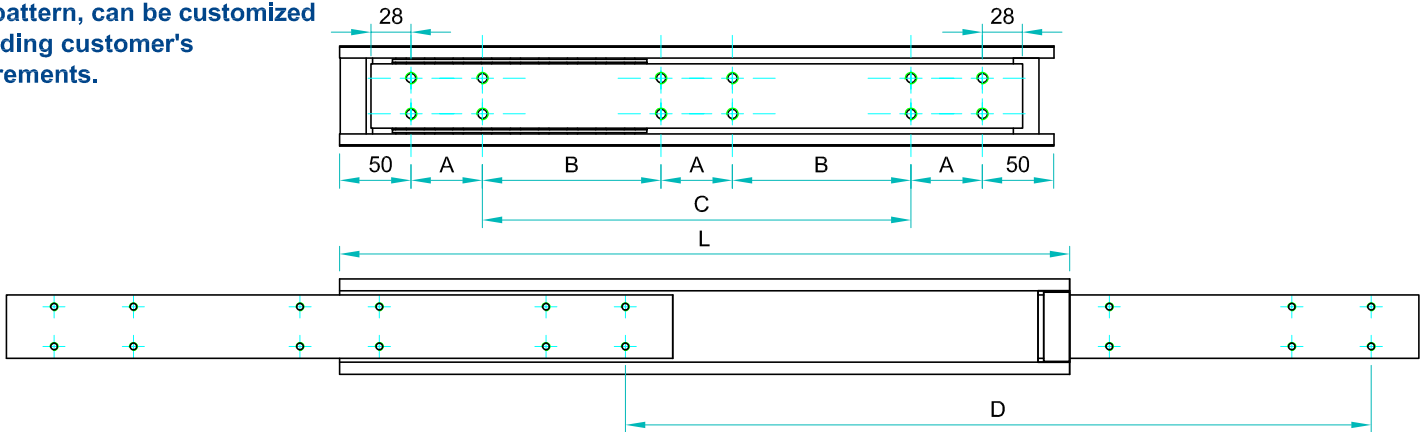
Type:SDTSB-70				Hole pattern		
Article number	Instalacion lenght:L	Extension lenght:D	Load per pair: kg	"A"	"B"	"C"
SDTSB7032.0200	200	200	400	50	-	-
SDTSB7032.0250	250	250	410	50	-	50
SDTSB7032.0300	300	300	420	50	-	100
SDTSB7032.0350	350	350	430	50	-	150
SDTSB7032.0400	400	400	440	50	-	200
SDTSB7032.0450	450	450	450	50	-	250
SDTSB7032.0500	500	500	460	50	-	300
SDTSB7032.0550	550	550	470	50	-	350
SDTSB7032.0600	600	600	480	50	-	400
SDTSB7032.0650	650	650	460	50	200	-
SDTSB7032.0700	700	700	440	50	225	-
SDTSB7032.0750	750	750	420	50	250	-
SDTSB7032.0800	800	800	400	50	275	-
SDTSB7032.0850	850	850	380	50	300	-
SDTSB7032.0900	900	900	360	50	325	-
SDTSB7032.0950	950	950	340	50	350	-
SDTSB7032.1000	1000	1000	320	50	375	-
SDTSB7032.1050	1050	1050	310	50	400	-
SDTSB7032.1100	1100	1100	300	50	425	-
SDTSB7032.1150	1150	1150	290	50	450	-
SDTSB7032.1200	1200	1200	280	50	475	-
SDTSB7032.1250	1250	1250	270	50	500	-
SDTSB7032.1300	1300	1300	260	50	525	-
SDTSB7032.1350	1350	1350	250	50	550	-
SDTSB7032.1400	1400	1400	240	50	575	-
SDTSB7032.1450	1450	1450	230	50	600	-
SDTSB7032.1500	1500	1500	220	50	625	-
SDTSB7032.1550	1550	1550	210	50	650	-
SDTSB7032.1600	1600	1600	205	50	675	-
SDTSB7032.1650	1650	1650	200	50	700	-
SDTSB7032.1700	1700	1700	195	100	650	-
SDTSB7032.1750	1750	1750	190	100	675	-
SDTSB7032.1800	1800	1800	185	100	700	-
SDTSB7032.1850	1850	1850	180	100	725	-
SDTSB7032.1900	1900	1900	175	100	750	-
SDTSB7032.1950	1950	1950	165	100	775	-
SDTSB7032.2000	2000	2000	160	100	800	-



We recommend use the major axis.  
Do not dismantle the slide !  
The maximum safe load is given for a fully extended pair of slides, mounted on the major axis with a load spread uniformly along the inner beam  
Flat mounted slide load capacities are reduced between 60-80%

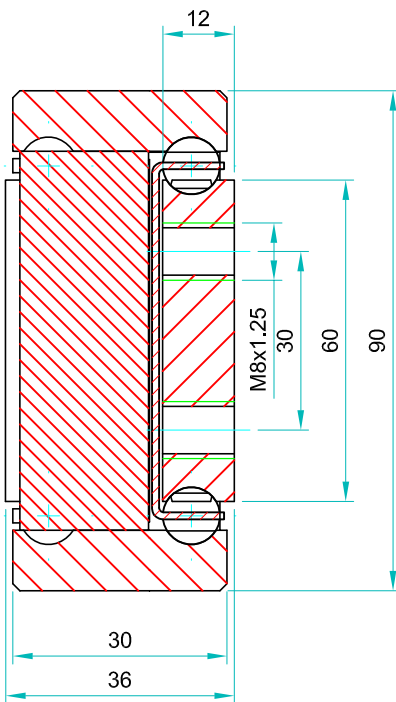
**Material:** All stainless steel parts  
**Beams:** 316 L, milled raceways  
**Ball cages:** 304 stainless sheet steel .  
**Ball bearings:** 316 L  
**End Bolts:** A2  
**Maximum temperature:** We recommend -40 to +200°C with low/high-temp lubrication and free movement to allow for steel expansion.

**Note:** The slide opening and the hole pattern, can be customized according customer's requirements.



**Options:**

- "V" - V shape channel raceways
- "F" - one outer beam countersunk
- "FF"- both outer beams countersunk



We recommend use the major axis.  
Do not dismantle the slide !  
The maximum safe load is given for a fully extended pair of slides, mounted on the major axis with a load spread uniformly along the inner beam  
Flat mounted slide load capacities are reduced between 60-80%

Type:SDTSB-90				Hole pattern		
Article number	Instalacion lenght:L	Extension lenght:D	Load per pair: kg	"A"	"B"	"C"
SDTSB9036.0200	200	200	460	50	-	-
SDTSB9036.0250	250	250	480	50	-	50
SDTSB9036.0300	300	300	500	50	-	100
SDTSB9036.0350	350	350	525	50	-	150
SDTSB9036.0400	400	400	550	50	-	200
SDTSB9036.0450	450	450	575	50	-	250
SDTSB9036.0500	500	500	600	50	-	300
SDTSB9036.0550	550	550	580	50	-	350
SDTSB9036.0600	600	600	560	50	-	400
SDTSB9036.0650	650	650	540	50	200	-
SDTSB9036.0700	700	700	520	50	225	-
SDTSB9036.0750	750	750	500	50	250	-
SDTSB9036.0800	800	800	480	50	275	-
SDTSB9036.0850	850	850	460	50	300	-
SDTSB9036.0900	900	900	440	50	325	-
SDTSB9036.0950	950	950	420	50	350	-
SDTSB9036.1000	1000	1000	400	50	375	-
SDTSB9036.1050	1050	1050	390	50	400	-
SDTSB9036.1100	1100	1100	380	50	425	-
SDTSB9036.1150	1150	1150	370	50	450	-
SDTSB9036.1200	1200	1200	360	50	475	-
SDTSB9036.1250	1250	1250	350	50	500	-
SDTSB9036.1300	1300	1300	340	50	525	-
SDTSB9036.1350	1350	1350	330	50	550	-
SDTSB9036.1400	1400	1400	320	50	575	-
SDTSB9036.1450	1450	1450	315	50	600	-
SDTSB9036.1500	1500	1500	310	50	625	-
SDTSB9036.1550	1550	1550	305	50	650	-
SDTSB9036.1600	1600	1600	300	50	675	-

**Material:** All stainless steel parts

**Beams:** 316 L, milled raceways

**Ball cages:** 304 stainless sheet steel .

**Ball bearings:** 316 L

**End Bolts:** A2

**Maximum temperature:** We recommend -40 to +200°C with low/high-temp lubrication and free movement to allow for steel expansion.

