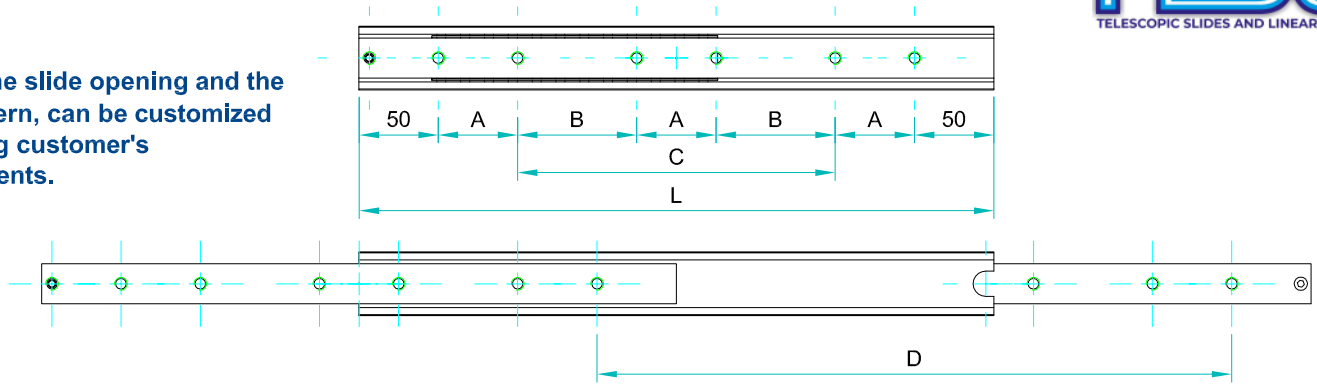




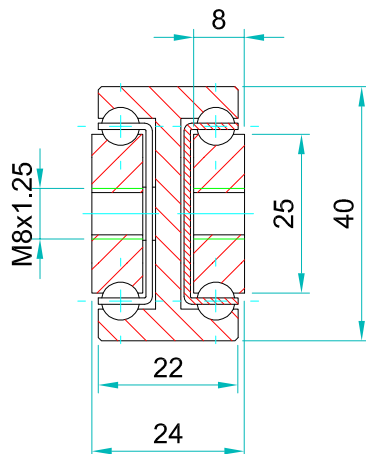
# Full extension

Slide type: **SDTS**

**Note:** The slide opening and the hole pattern, can be customized according customer's requirements.



**Options:**  
 "V" - V shape channel raceways  
 "F" - one outer beam countersunk  
 "FF"- both outer beams countersunk



We recommend use the major axis.  
 Do not dismantle the slide !  
 The maximum safe load is given for a fully extended pair of slides, mounted on the major axis with a load spread uniformly along the inner beam. Flat mounted slide load capacities are reduced between 60-80%

Type: SDTS-40				Hole pattern		
Article number	Instalacion lenght:L	Extension lenght:D	Load per pair: kg	"A"	"B"	"C"
SDTS4024.0200	200	200	140	50	-	-
SDTS4024.0250	250	250	142	50	-	50
SDTS4024.0300	300	300	144	50	-	100
SDTS4024.0350	350	350	146	50	-	150
SDTS4024.0400	400	400	148	50	-	200
SDTS4024.0450	450	450	150	50	-	250
SDTS4024.0500	500	500	152	50	-	300
SDTS4024.0550	550	550	154	50	150	-
SDTS4024.0600	600	600	150	50	175	-
SDTS4024.0650	650	650	145	50	200	-
SDTS4024.0700	700	700	140	50	225	-
SDTS4024.0750	750	750	135	50	250	-
SDTS4024.0800	800	800	130	50	275	-
SDTS4024.0850	850	850	125	50	300	-
SDTS4024.0900	900	900	120	50	325	-
SDTS4024.0950	950	950	115	50	350	-
SDTS4024.1000	1000	1000	110	50	375	-
SDTS4024.1050	1050	1050	105	50	400	-
SDTS4024.1100	1100	1100	100	50	425	-
SDTS4024.1150	1150	1150	95	50	450	-
SDTS4024.1200	1200	1200	90	50	475	-
SDTS4024.1250	1250	1250	85	50	500	-
SDTS4024.1300	1300	1300	80	50	525	-
SDTS4024.1350	1350	1350	75	50	550	-
SDTS4024.1400	1400	1400	70	50	575	-
SDTS4024.1450	1450	1450	65	50	600	-
SDTS4024.1500	1500	1500	60	50	625	-
SDTS4024.1550	1550	1550	55	50	650	-
SDTS4024.1600	1600	1600	50	50	675	-
SDTS4024.1650	1650	1650	45	50	700	-
SDTS4024.1700	1700	1700	40	100	650	-
SDTS4024.1750	1750	1750	35	100	675	-
SDTS4024.1800	1800	1800	30	100	700	-

**Material:** All stainless steel parts

**Beams:** 316 L, milled raceways

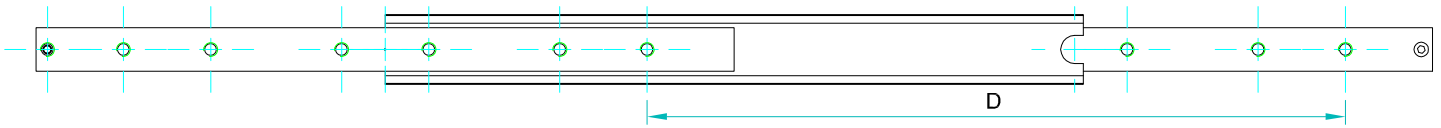
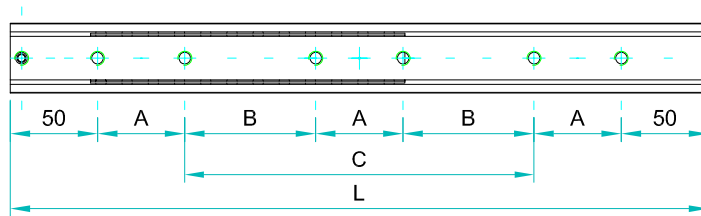
**Ball cages:** 304 stainless sheet steel .

**Ball bearings:** 316 L

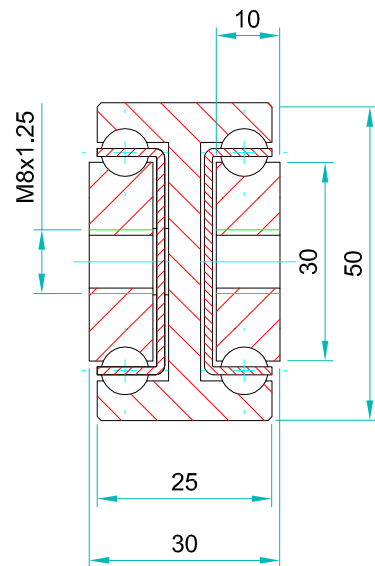
**End Bolts:** A2

**Maximum temperature:** We recommend -40 to +200°C with low/high-temp lubrication and free movement to allow for steel expansion.

**Note:** The slide opening and the hole pattern, can be customized according customer's requirements.



**Options:**  
 "V" - V shape channel raceways  
 "F" - one outer beam countersunk  
 "FF" - both outer beams countersunk



We recommend use the major axis.  
 Do not dismantle the slide !  
 The maximum safe load is given for a fully extended pair of slides, mounted on the major axis with a load spread uniformly along the inner beam  
 Flat mounted slide load capacities are reduced between 60-80%

Type: SDTS-50				Hole pattern		
Article number	Instalacion lenght:L	Extension lenght:D	Load per pair: kg	"A"	"B"	"C"
SDTS5030.0200	200	200	220	50	-	-
SDTS5030.0250	250	250	230	50	-	50
SDTS5030.0300	300	300	240	50	-	100
SDTS5030.0350	350	350	250	50	-	150
SDTS5030.0400	400	400	260	50	-	200
SDTS5030.0450	450	450	270	50	-	250
SDTS5030.0500	500	500	280	50	-	300
SDTS5030.0550	550	550	270	50	150	-
SDTS5030.0600	600	600	260	50	175	-
SDTS5030.0650	650	650	250	50	200	-
SDTS5030.0700	700	700	240	50	225	-
SDTS5030.0750	750	750	230	50	250	-
SDTS5030.0800	800	800	220	50	275	-
SDTS5030.0850	850	850	210	50	300	-
SDTS5030.0900	900	900	200	50	325	-
SDTS5030.0950	950	950	190	50	350	-
SDTS5030.1000	1000	1000	180	50	375	-
SDTS5030.1050	1050	1050	175	50	400	-
SDTS5030.1100	1100	1100	170	50	425	-
SDTS5030.1150	1150	1150	165	50	450	-
SDTS5030.1200	1200	1200	160	50	475	-
SDTS5030.1250	1250	1250	155	50	500	-
SDTS5030.1300	1300	1300	150	50	525	-
SDTS5030.1350	1350	1350	145	50	550	-
SDTS5030.1400	1400	1400	140	50	575	-
SDTS5030.1450	1450	1450	135	50	600	-
SDTS5030.1500	1500	1500	130	50	625	-
SDTS5030.1550	1550	1550	125	50	650	-
SDTS5030.1600	1600	1600	120	50	675	-
SDTS5030.1650	1650	1650	110	50	700	-
SDTS5030.1700	1700	1700	100	100	650	-
SDTS5030.1750	1750	1750	90	100	675	-
SDTS5030.1800	1800	1800	80	100	700	-
SDTS5030.1850	1850	1850	70	100	725	-
SDTS5030.1900	1900	1900	60	100	750	-
SDTS5030.1950	1950	1950	50	100	775	-
SDTS5030.2000	2000	2000	40	100	800	-

**Material:** All stainless steel parts

**Beams:** 316 L, milled raceways

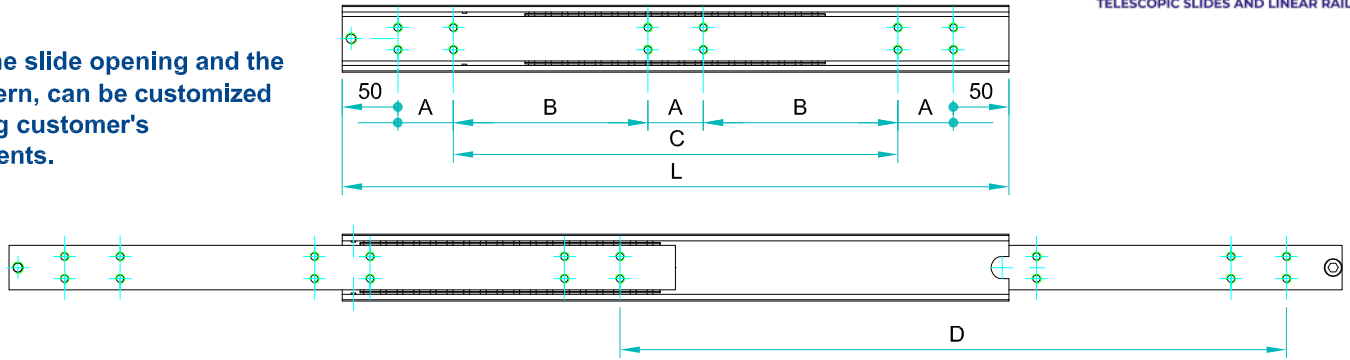
**Ball cages:** 304 stainless sheet steel .

**Ball bearings:** 316 L

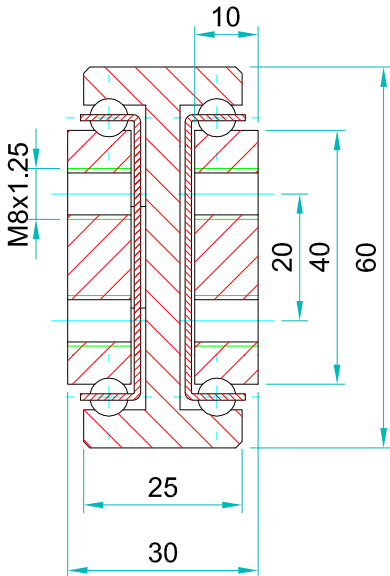
**End Bolts:** A2

**Maximum temperature:** We recommend -40 to +200°C with low/high-temp lubrication and free movement to allow for steel expansion.

**Note:** The slide opening and the hole pattern, can be customized according customer's requirements.



**Options:**  
**"V"** - V shape channel raceways  
**"F"** - one outer beam countersunk  
**"FF"** - both outer beams countersunk



We recommend use the major axis.  
 Do not dismantle the slide !  
 The maximum safe load is given for a fully extended pair of slides, mounted on the major axis with a load spread uniformly along the inner beam. Flat mounted slide load capacities are reduced between 60-80%

Type:SDTS-60				Hole pattern		
Article number	Instalacion lenght:L	Extension lenght:D	Load per pair: kg	"A"	"B"	"C"
SDTS6030.0200	200	200	360	50	-	-
SDTS6030.0250	250	250	370	50	-	50
SDTS6030.0300	300	300	380	50	-	100
SDTS6030.0350	350	350	390	50	-	150
SDTS6030.0400	400	400	400	50	-	200
SDTS6030.0450	450	450	410	50	-	250
SDTS6030.0500	500	500	420	50	-	300
SDTS6030.0550	550	550	430	50	-	350
SDTS6030.0600	600	600	440	50	-	400
SDTS6030.0650	650	650	420	50	200	-
SDTS6030.0700	700	700	400	50	225	-
SDTS6030.0750	750	750	380	50	250	-
SDTS6030.0800	800	800	360	50	275	-
SDTS6030.0850	850	850	340	50	300	-
SDTS6030.0900	900	900	320	50	325	-
SDTS6030.0950	950	950	300	50	350	-
SDTS6030.1000	1000	1000	280	50	375	-
SDTS6030.1050	1050	1050	270	50	400	-
SDTS6030.1100	1100	1100	260	50	425	-
SDTS6030.1150	1150	1150	250	50	450	-
SDTS6030.1200	1200	1200	240	50	475	-
SDTS6030.1250	1250	1250	235	50	500	-
SDTS6030.1300	1300	1300	230	50	525	-
SDTS6030.1350	1350	1350	225	50	550	-
SDTS6030.1400	1400	1400	220	50	575	-
SDTS6030.1450	1450	1450	215	50	600	-
SDTS6030.1500	1500	1500	210	50	625	-
SDTS6030.1550	1550	1550	205	50	650	-
SDTS6030.1600	1600	1600	200	50	675	-
SDTS6030.1650	1650	1650	195	50	700	-
SDTS6030.1700	1700	1700	190	100	650	-
SDTS6030.1750	1750	1750	185	100	675	-
SDTS6030.1800	1800	1800	180	100	700	-
SDTS6030.1850	1850	1850	175	100	725	-
SDTS6030.1900	1900	1900	170	100	750	-
SDTS6030.1950	1950	1950	165	100	775	-
SDTS6030.2000	2000	2000	160	100	800	-

**Material:** All stainless steel parts

**Beams:** 316 L, milled raceways

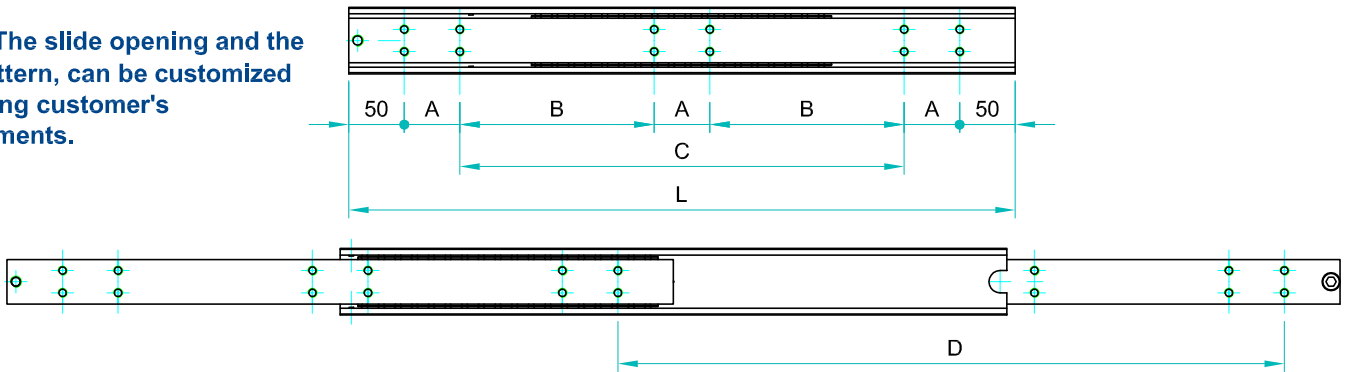
**Ball cages:** 304 stainless sheet steel .

**Ball bearings:** 316 L

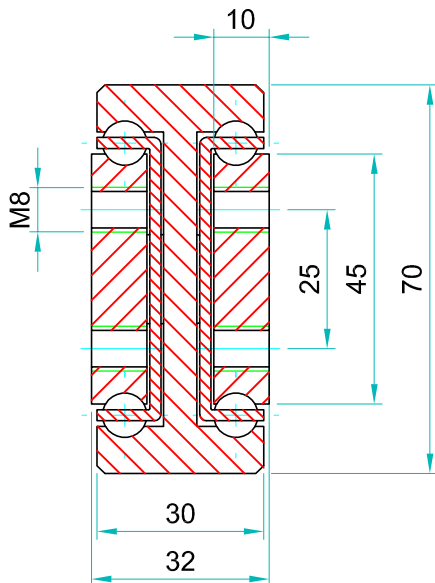
**End Bolts:** A2

**Maximum temperature:** We recommend -40 to +200°C with low/high-temp lubrication and free movement to allow for steel expansion.

**Note:** The slide opening and the hole pattern, can be customized according customer's requirements.



**Options:**  
 "V" - V shape channel raceways  
 "F" - one outer beam countersunk  
 "FF"- both outer beams countersunk



We recommend use the major axis.  
 Do not dismantle the slide !  
 The maximum safe load is given for a fully extended pair of slides, mounted on the major axis with a load spread uniformly along the inner beam. Flat mounted slide load capacities are reduced between 60-80%

Type:SDTS-70				Hole pattern		
Article number	Instalacion lenght:L	Extension lenght:D	Load per pair: kg	"A"	"B"	"C"
SDTS7032.0200	200	200	400	50	-	-
SDTS7032.0250	250	250	410	50	-	50
SDTS7032.0300	300	300	420	50	-	100
SDTS7032.0350	350	350	430	50	-	150
SDTS7032.0400	400	400	440	50	-	200
SDTS7032.0450	450	450	450	50	-	250
SDTS7032.0500	500	500	460	50	-	300
SDTS7032.0550	550	550	470	50	-	350
SDTS7032.0600	600	600	480	50	-	400
SDTS7032.0650	650	650	460	50	200	-
SDTS7032.0700	700	700	440	50	225	-
SDTS7032.0750	750	750	420	50	250	-
SDTS7032.0800	800	800	400	50	275	-
SDTS7032.0850	850	850	380	50	300	-
SDTS7032.0900	900	900	360	50	325	-
SDTS7032.0950	950	950	340	50	350	-
SDTS7032.1000	1000	1000	320	50	375	-
SDTS7032.1050	1050	1050	310	50	400	-
SDTS7032.1100	1100	1100	300	50	425	-
SDTS7032.1150	1150	1150	290	50	450	-
SDTS7032.1200	1200	1200	280	50	475	-
SDTS7032.1250	1250	1250	270	50	500	-
SDTS7032.1300	1300	1300	260	50	525	-
SDTS7032.1350	1350	1350	250	50	550	-
SDTS7032.1400	1400	1400	240	50	575	-
SDTS7032.1450	1450	1450	230	50	600	-
SDTS7032.1500	1500	1500	220	50	625	-
SDTS7032.1550	1550	1550	210	50	650	-
SDTS7032.1600	1600	1600	205	50	675	-
SDTS7032.1650	1650	1650	200	50	700	-
SDTS7032.1700	1700	1700	195	100	650	-
SDTS7032.1750	1750	1750	190	100	675	-
SDTS7032.1800	1800	1800	185	100	700	-
SDTS7032.1850	1850	1850	180	100	725	-
SDTS7032.1900	1900	1900	175	100	750	-
SDTS7032.1950	1950	1950	165	100	775	-
SDTS7032.2000	2000	2000	160	100	800	-

**Material:** All stainless steel parts

**Beams:** 316 L, milled raceways

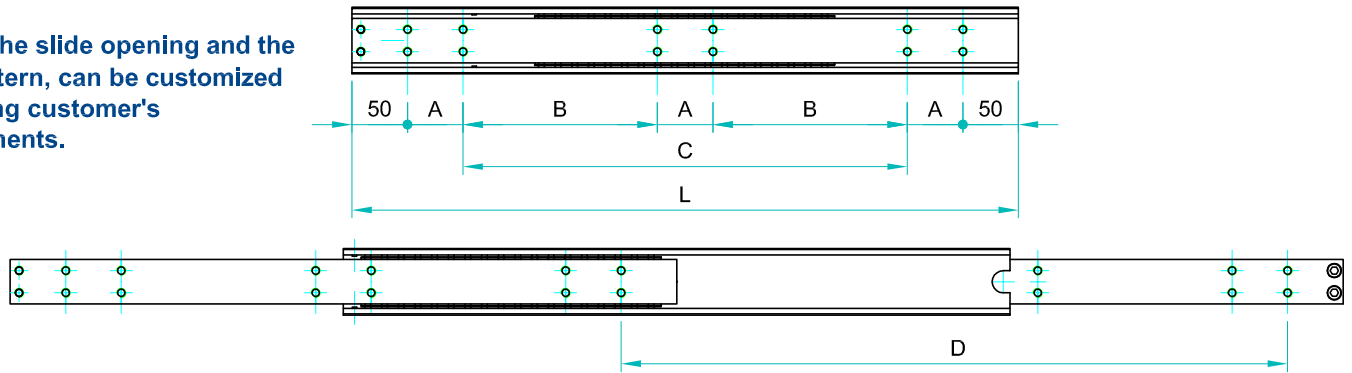
**Ball cages:** 304 stainless sheet steel .

**Ball bearings:** 316 L

**End Bolts:** A2

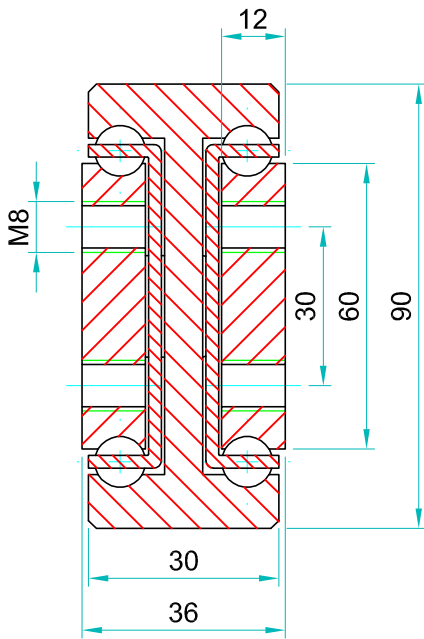
**Maximum temperature:** We recommend -40 to +200°C with low/high-temp lubrication and free movement to allow for steel expansion.

**Note:** The slide opening and the hole pattern, can be customized according customer's requirements.



**Options:**

- "V" - V shape channel raceways
- "F" - one outer beam countersunk
- "FF"- both outer beams countersunk



We recommend use the major axis.  
Do not dismantle the slide !  
The maximum safe load is given for a fully extended pair of slides, mounted on the major axis with a load spread uniformly along the inner beam. Flat mounted slide load capacities are reduced between 60-80%

Type:SDTS-90				Hole pattern		
Article number	Instalacion lenght:L	Extension lenght:D	Load per pair : kg	"A"	"B"	"C"
SDTS9036.0200	200	200	460	50	-	-
SDTS9036.0250	250	250	480	50	-	50
SDTS9036.0300	300	300	500	50	-	100
SDTS9036.0350	350	350	525	50	-	150
SDTS9036.0400	400	400	550	50	-	200
SDTS9036.0450	450	450	575	50	-	250
SDTS9036.0500	500	500	600	50	-	300
SDTS9036.0550	550	550	580	50	-	350
SDTS9036.0600	600	600	560	50	-	400
SDTS9036.0650	650	650	540	50	200	-
SDTS9036.0700	700	700	520	50	225	-
SDTS9036.0750	750	750	500	50	250	-
SDTS9036.0800	800	800	480	50	275	-
SDTS9036.0850	850	850	460	50	300	-
SDTS9036.0900	900	900	440	50	325	-
SDTS9036.0950	950	950	420	50	350	-
SDTS9036.1000	1000	1000	400	50	375	-
SDTS9036.1050	1050	1050	390	50	400	-
SDTS9036.1100	1100	1100	380	50	425	-
SDTS9036.1150	1150	1150	370	50	450	-
SDTS9036.1200	1200	1200	360	50	475	-
SDTS9036.1250	1250	1250	350	50	500	-
SDTS9036.1300	1300	1300	340	50	525	-
SDTS9036.1350	1350	1350	330	50	550	-
SDTS9036.1400	1400	1400	320	50	575	-
SDTS9036.1450	1450	1450	315	50	600	-
SDTS9036.1500	1500	1500	310	50	625	-
SDTS9036.1550	1550	1550	305	50	650	-
SDTS9036.1600	1600	1600	300	50	675	-

**Material:** All stainless steel parts

**Beams:** 316 L, milled raceways

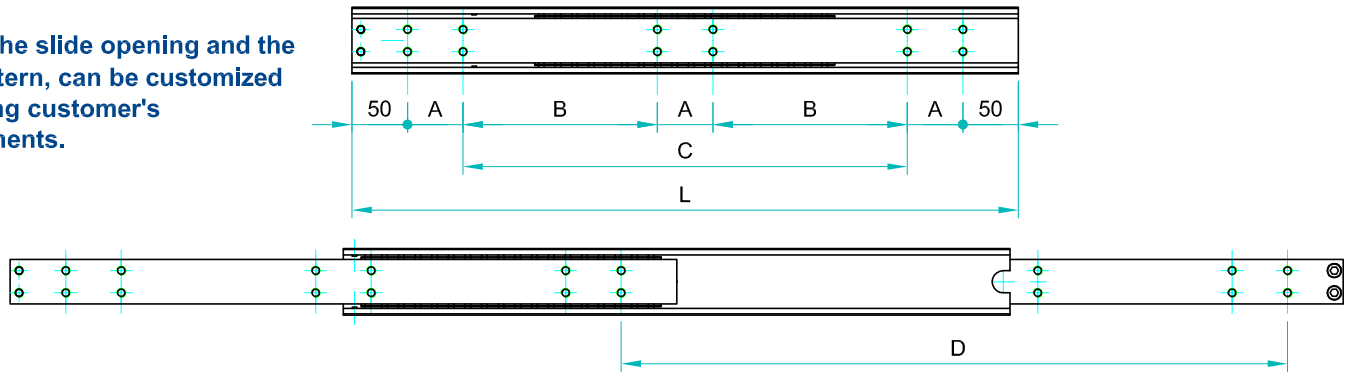
**Ball cages:** 304 stainless sheet steel .

**Ball bearings:** 316 L

**End Bolts:** A2

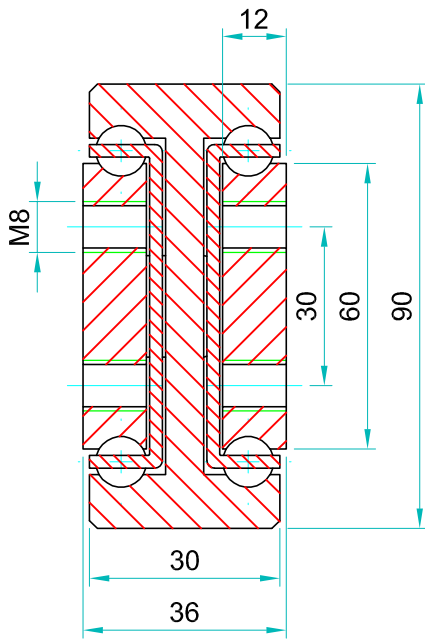
**Maximum temperature:** We recommend -40 to +200°C with low/high-temp lubrication and free movement to allow for steel expansion.

**Note:** The slide opening and the hole pattern, can be customized according customer's requirements.



**Options:**

- "V" - V shape channel raceways
- "F" - one outer beam countersunk
- "FF"- both outer beams countersunk



Type:SDTS-90				Hole pattern		
Article number	Instalacion length:L	Extension length:D	Load per pair : kg	"A"	"B"	"C"
SDTS9036.1650	1650	1650	295	50	700	
SDTS9036.1700	1700	1700	290	100	650	
SDTS9036.1750	1750	1750	285	100	675	
SDTS9036.1800	1800	1800	280	100	700	
SDTS9036.1850	1850	1850	275	100	725	
SDTS9036.1900	1900	1900	270	100	750	
SDTS9036.1950	1950	1950	265	100	775	
SDTS9036.2000	2000	2000	260	100	800	
SDTS9036.2050	2050	2050	255	100	825	
SDTS9036.2100	2100	2100	250	100	850	
SDTS9036.2150	2150	2150	245	100	875	
SDTS9036.2200	2200	2200	240	100	900	
SDTS9036.2250	2250	2250	230	100	925	
SDTS9036.2300	2300	2300	220	100	950	
SDTS9036.2350	2350	2350	210	100	975	
SDTS9036.2400	2400	2400	200	100	1000	
SDTS9036.2450	2450	2450	190	100	1025	
SDTS9036.2500	2500	2500	180	100	1050	
SDTS9036.2550	2550	2550	170	100	1075	
SDTS9036.2600	2600	2600	160	100	1100	
SDTS9036.2650	2650	2650	150	100	1125	
SDTS9036.2700	2700	2700	140	100	1150	
SDTS9036.2750	2750	2750	130	100	1175	
SDTS9036.2800	2800	2800	120	100	1200	
SDTS9036.2850	2850	2850	110	100	1225	
SDTS9036.2900	2900	2900	100	100	1250	
SDTS9036.2950	2950	2950	90	100	1275	
SDTS9036.3000	3000	3000	80	100	1300	



We recommend use the major axis.  
Do not dismantle the slide !  
The maximum safe load is given for a fully extended pair of slides, mounted on the major axis with a load spread uniformly along the inner beam. Flat mounted slide load capacities are reduced between 60-80%

**Material:** All stainless steel parts

**Beams:** 316 L, milled raceways

**Ball cages:** 304 stainless sheet steel .

**Ball bearings:** 316 L

**End Bolts:** A2

**Maximum temperature:** We recommend -40 to +200°C with low/high-temp lubrication and free movement to allow for steel expansion.