

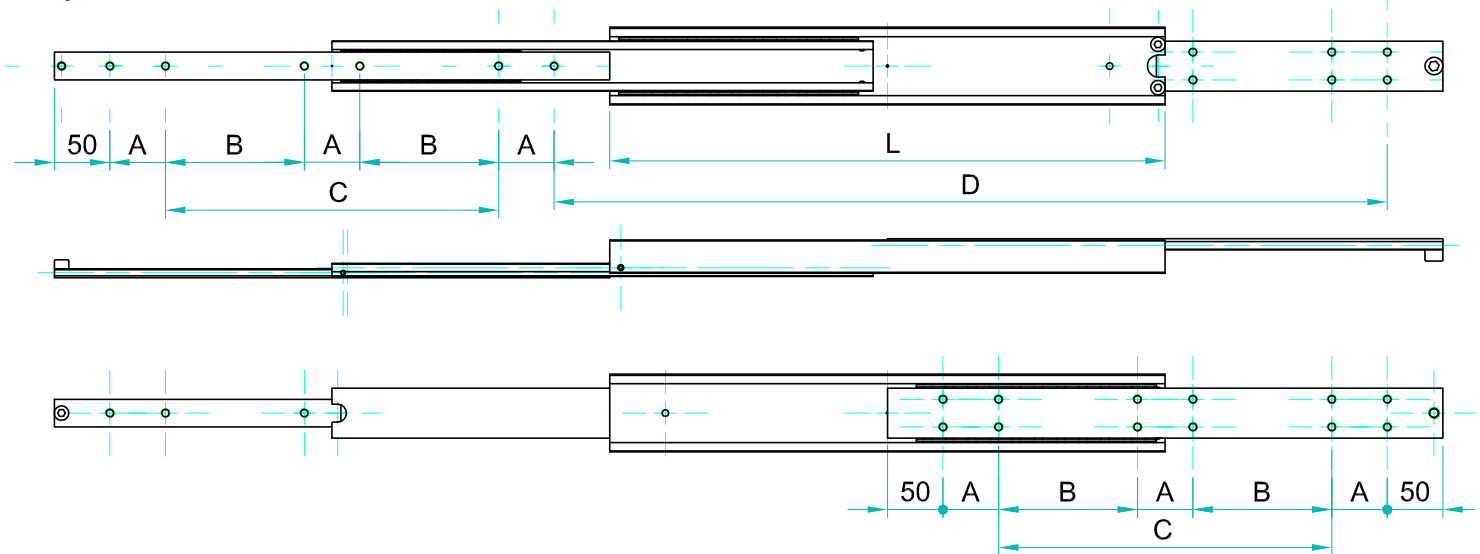
FEDS

TELESCOPIC SLIDES AND LINEAR RAILS

Super extension

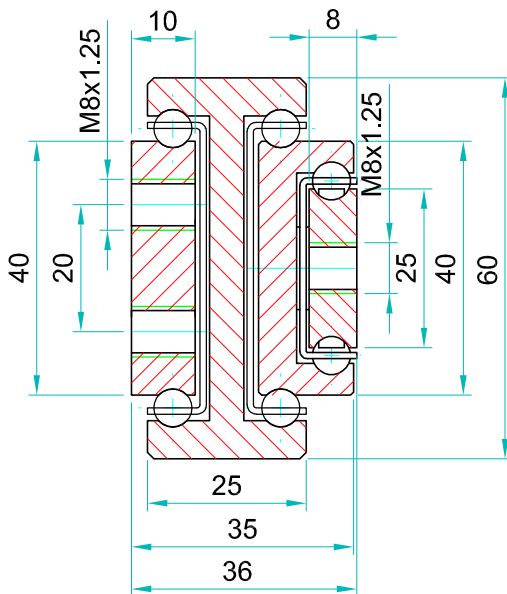
Slide type: **SQSRT**
SDDTS

Note: The slide opening and the hole pattern, can be customized according customer's requirements.



Options:

- "V" - V shape channel raceways
- "F" - one outer beam countersunk
- "FF" - both outer beams countersunk



We recommend use the major axis.
Do not dismantle the slide!
The maximum safe load is given for a fully extended pair of slides, mounted on the major axis with a load spread uniformly along the inner beam. Flat mounted slide load capacities are reduced between 60-80%

Type:SQSRT-60			Hole pattern			
Article number	Instalacion lenght:L	Extension lenght:D	Load per pair: kg	"A"	"B"	"C"
SQSRT6036.0200	200	300	70	50	-	-
SQSRT6036.0250	250	375	80	50	-	50
SQSRT6036.0300	300	450	85	50	-	100
SQSRT6036.0350	350	525	90	50	-	150
SQSRT6036.0400	400	600	100	50	-	200
SQSRT6036.0450	450	675	110	50	-	250
SQSRT6036.0500	500	750	120	50	-	300
SQSRT6036.0550	550	825	130	50	-	350
SQSRT6036.0600	600	900	140	50	-	400
SQSRT6036.0650	650	975	135	50	200	-
SQSRT6036.0700	700	1050	130	50	225	-
SQSRT6036.0750	750	1125	125	50	250	-
SQSRT6036.0800	800	1200	120	50	275	-
SQSRT6036.0850	850	1275	115	50	300	-
SQSRT6036.0900	900	1350	110	50	325	-
SQSRT6036.0950	950	1425	105	50	350	-
SQSRT6036.1000	1000	1500	100	50	375	-
SQSRT6036.1050	1050	1575	95	50	400	-
SQSRT6036.1100	1100	1650	90	50	425	-
SQSRT6036.1150	1150	1725	85	50	450	-
SQSRT6036.1200	1200	1800	80	50	475	-
SQSRT6036.1250	1250	1875	75	50	500	-
SQSRT6036.1300	1300	1950	70	50	525	-
SQSRT6036.1350	1350	2025	68	50	550	-
SQSRT6036.1400	1400	2100	66	50	575	-
SQSRT6036.1450	1450	2175	64	50	600	-
SQSRT6036.1500	1500	2250	62	50	625	-
SQSRT6036.1550	1550	2325	60	50	650	-
SQSRT6036.1600	1600	2400	58	50	675	-

Material: All stainless steel parts

Beams: 316 L, milled raceways

Ball cages: 304 stainless sheet steel .

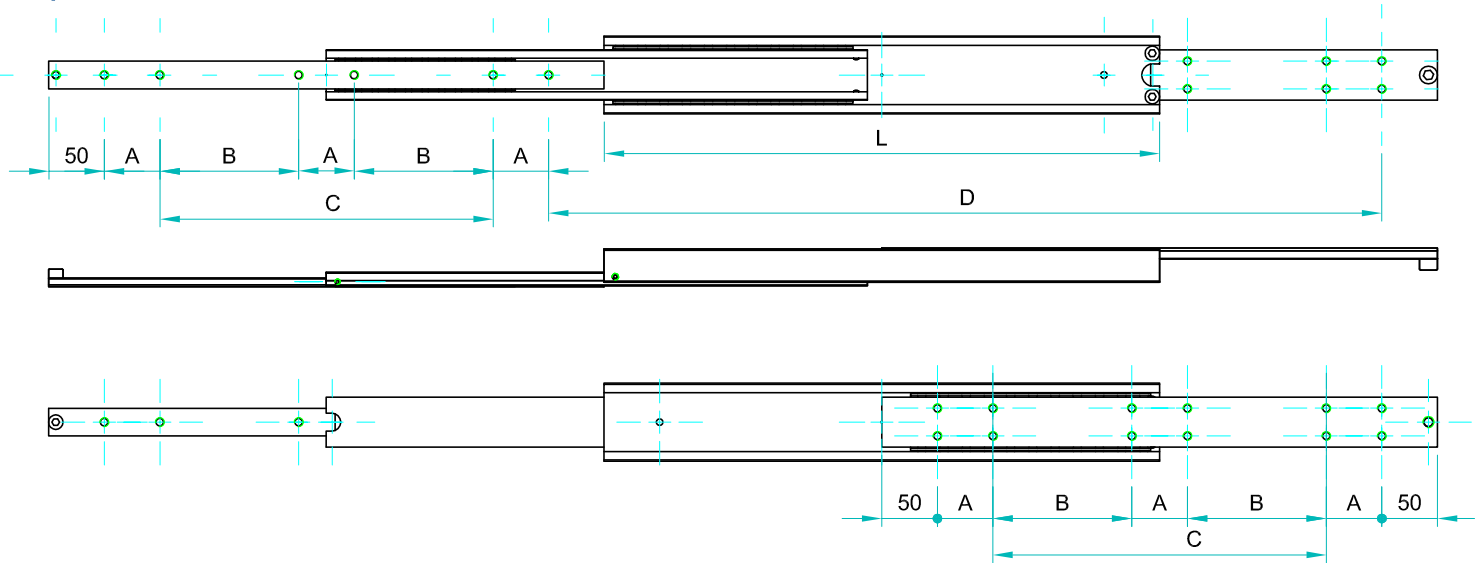
Ball bearings: 316 L

End Bolts: A2

Maximum temperature: We recommend -40 to +200°C with

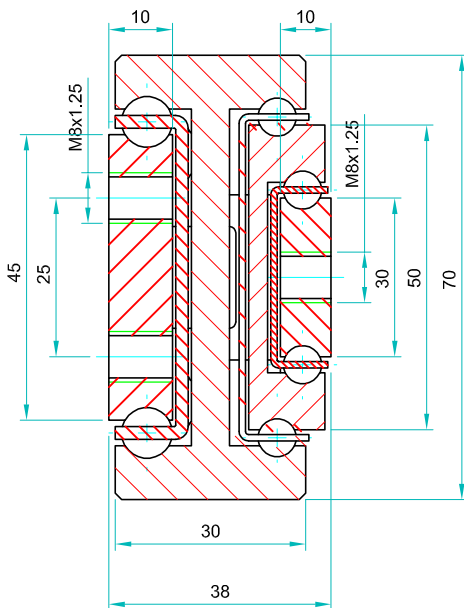
low/high-temp lubrication and free movement to allow for steel expansion.

Note: The slide opening and the hole pattern, can be customized according customer's requirements.



Options:

- "V" - V shape channel raceways
- "F" - one outer beam countersunk
- "FF" - both outer beams countersunk



We recommend use the major axis.
Do not dismantle the slide !
The maximum safe load is given for a fully extended pair of slides, mounted on the major axis with a load spread uniformly along the inner beam
Flat mounted slide load capacities are reduced between 60-80%

Type: SQSRT-70				Hole pattern		
Article number	Instalacion lenght: L	Extension lenght: D	Load per pair: kg.	"A"	"B"	"C"
SQSRT7038.0300	300	450	190	50		100
SQSRT7038.0350	350	525	195	50		150
SQSRT7038.0400	400	600	200	50		200
SQSRT7038.0450	450	675	205	50		250
SQSRT7038.0500	500	750	210	50		300
SQSRT7038.0550	550	825	215	50	150	-
SQSRT7038.0600	600	900	220	50	175	-
SQSRT7038.0650	650	975	215	50	200	-
SQSRT7038.0700	700	1050	210	50	225	-
SQSRT7038.0750	750	1125	205	50	250	-
SQSRT7038.0800	800	1200	200	50	275	-
SQSRT7038.0850	850	1275	195	50	300	-
SQSRT7038.0900	900	1350	190	50	325	-
SQSRT7038.0950	950	1425	185	50	350	-
SQSRT7038.1000	1000	1500	180	50	375	-
SQSRT7038.1050	1050	1575	175	50	400	-
SQSRT7038.1100	1100	1650	170	50	425	-
SQSRT7038.1150	1150	1725	165	50	450	-
SQSRT708.1200	1200	1800	160	50	475	-
SQSRT7038.1250	1250	1875	155	50	500	-
SQSRT7038.1300	1300	1950	150	50	525	-
SQSRT7038.1350	1350	2025	145	50	550	-
SQSRT7038.1400	1400	2100	140	50	575	-
SQSRT7038.1450	1450	2175	135	50	600	-
SQSRT7038.1500	1500	2250	130	50	625	-
SQSRT7038.1550	1550	2325	125	50	650	-
SQSRT7038.1600	1600	2400	120	50	675	-

Material: All stainless steel parts

Beams: 316 L, milled raceways

Ball cages: 304 stainless sheet steel .

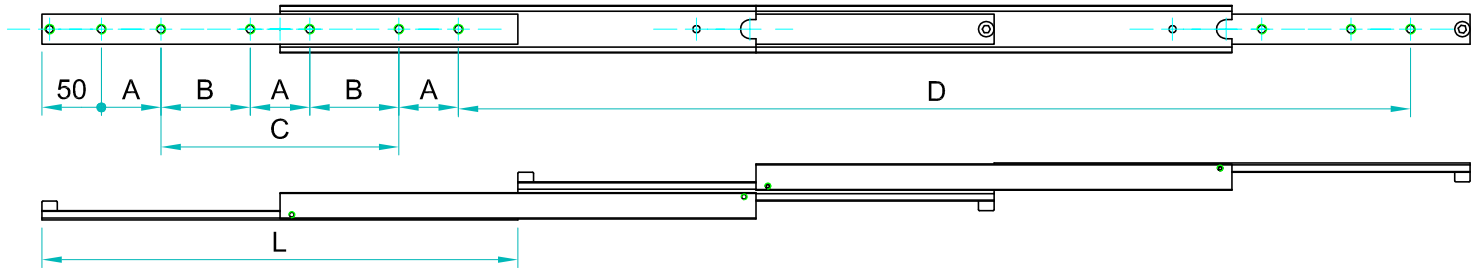
Ball bearings: 316 L

End Bolts: A2

Maximum temperature: We recommend -40 to +200°C with

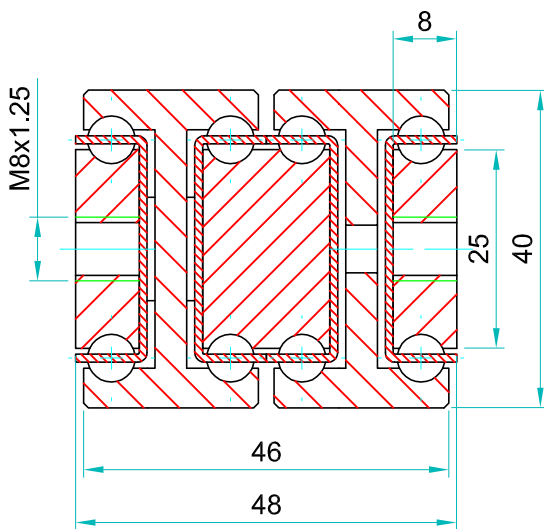
low/high-temp lubrication and free movement to allow for steel expansion.

Note: The slide opening and the hole pattern, can be customized according customer's requirements.



Options:

- "V" - V shape channel raceways
- "F" - one outer beam countersunk
- "FF"- both outer beams countersunk



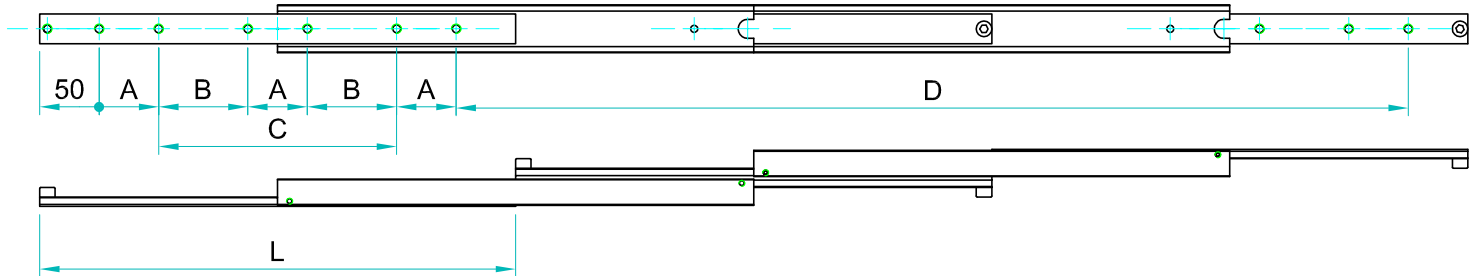
We recommend use the major axis.
Do not dismantle the slide !
The maximum safe load is given for a fully extended pair of slides, mounted on the major axis with a load spread uniformly along the inner beam
Flat mounted slide load capacities are reduced between 60-80%

Type: SDDTS-40				Hole pattern		
Article number	Instalacion lenght L	Extension lenght D	Load per pair : kg	"A"	"B"	"C"
SDDTS4048.0200	200	400	38	50	-	-
SDDTS4048.0250	250	500	40	50	-	50
SDDTS4048.0300	300	600	42	50	-	100
SDDTS4048.0350	350	700	44	50	-	150
SDDTS4048.0400	400	800	46	50	-	200
SDDTS4048.0450	450	900	48	50	-	250
SDDTS4048.0500	500	1000	50	50	-	300
SDDTS4048.0550	550	1100	48	50	150	-
SDDTS4048.0600	600	1200	46	50	175	-
SDDTS4048.0650	650	1300	42	50	200	-
SDDTS4048.0700	700	1400	40	50	225	-
SDDTS4048.0750	750	1500	39	50	250	-
SDDTS4048.0800	800	1600	38	50	275	-
SDDTS4048.0850	850	1700	37	50	300	-
SDDTS4048.0900	900	1800	36	50	325	-
SDDTS4048.0950	950	1900	35	50	350	-
SDDTS4048.1000	1000	2000	34	50	375	-
SDDTS4048.1050	1050	2100	33	50	400	-
SDDTS4048.1100	1100	2200	32	50	425	-
SDDTS4048.1150	1150	2300	30	50	450	-
SDDTS4048.1200	1200	2400	28	50	475	-

Material: All stainless steel parts
Beams: 316 L, milled raceways
Ball cages: 304 stainless sheet steel .
Ball bearings: 316 L
End Bolts: A2

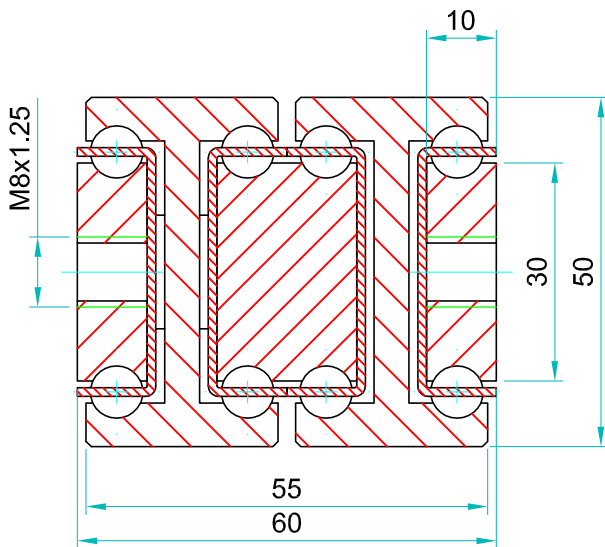
Maximum temperature: We recommend -10 to +150°C with low/high-temp lubrication and free movement to allow for steel expansion.

Note: The slide opening and the hole pattern, can be customized according customer's requirements.



Options:

- "V" - V shape channel raceways
- "F" - one outer beam countersunk
- "FF"- both outer beams countersunk



We recommend use the major axis.
Do not dismantle the slide !

The maximum safe load is given for a fully extended pair of slides, mounted on the major axis with a load spread uniformly along the inner beam. Flat mounted slide load capacities are reduced between 60-80%.

Type: SDDTS-50				Hole pattern		
Article number	Instalacion lenght: L	Extension lenght: D	Load per pair : kg	"A"	"B"	"C"
SDDTS5060.0200	200	400	96	50	-	-
SDDTS5060.0250	250	500	98	50	-	50
SDDTS5060.0300	300	600	100	50	-	100
SDDTS5060.0350	350	700	102	50	-	150
SDDTS5060.0400	400	800	104	50	-	200
SDDTS5060.0450	450	900	106	50	-	250
SDDTS5060.0500	500	1000	110	50	-	300
SDDTS5060.0550	550	1100	105	50	150	-
SDDTS5060.0600	600	1200	100	50	175	-
SDDTS5060.0650	650	1300	95	50	200	-
SDDTS5060.0700	700	1400	90	50	225	-
SDDTS5060.0750	750	1500	85	50	250	-
SDDTS5060.0800	800	1600	80	50	275	-
SDDTS5060.0850	850	1700	75	50	300	-
SDDTS5060.0900	900	1800	70	50	325	-
SDDTS5060.0950	950	1900	65	50	350	-
SDDTS5060.1000	1000	2000	60	50	375	-
SDDTS5060.1050	1050	2100	55	50	400	-
SDDTS5060.1100	1100	2200	50	50	425	-
SDDTS5060.1150	1150	2300	45	50	450	-
SDDTS5060.1200	1200	2400	40	50	475	-

Material: All stainless steel parts

Beams: 316 L, milled raceways

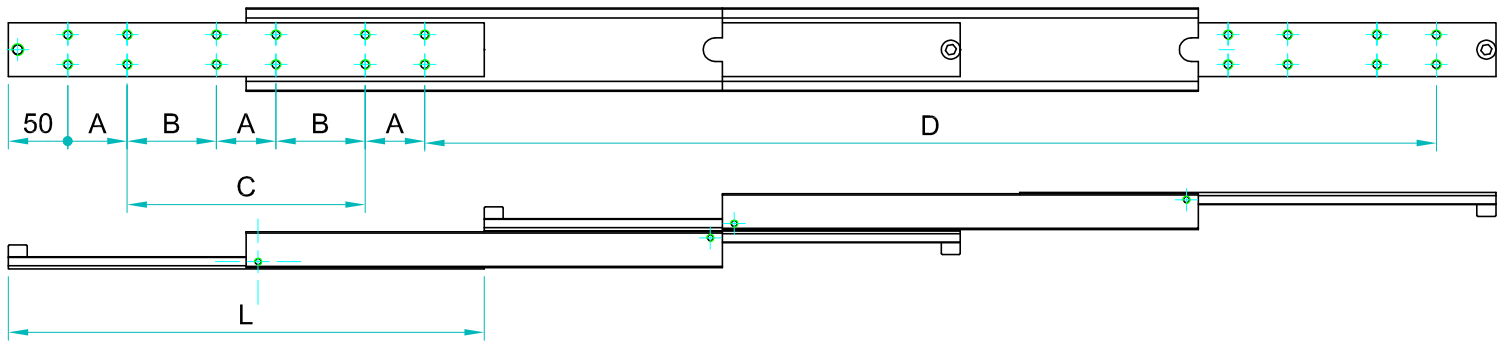
Ball cages: 304 stainless sheet steel .

Ball bearings: 316 L

End Bolts: A2

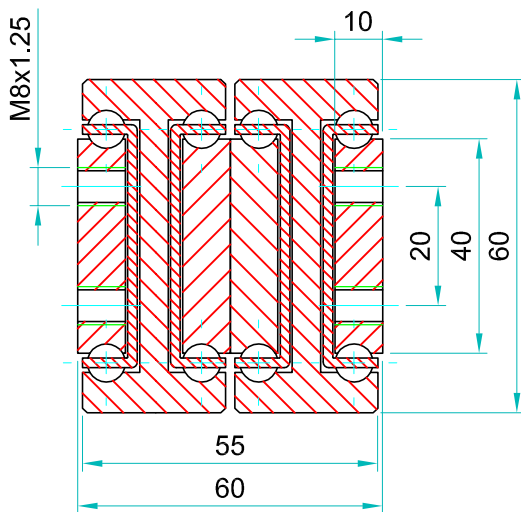
Maximum temperature: We recommend -10 to +150°C with low/high-temp lubrication and free movement to allow for steel expansion.

Note: The slide opening and the hole pattern, can be customized according customer's requirements.



Options:

- "V" - V shape channel raceways
- "F" - one outer beam countersunk
- "FF"-both outer beams countersunk



Type: SDDTS-60				Hole pattern		
Article number	Instalacion length :L	Extension length:D	Load per pair : kg	"A"	"B"	"C"
SDDTS6060.0300	300	600	110	50	-	100
SDDTS6060.0350	350	700	112	50	-	150
SDDTS6060.0400	400	800	114	50	-	200
SDDTS6060.0450	450	900	116	50	-	250
SDDTS6060.0500	500	1000	118	50	-	300
SDDTS6060.0550	550	1100	120	50	-	350
SDDTS6060.0600	600	1200	115	50	-	400
SDDTS6060.0650	650	1300	110	50	200	-
SDDTS6060.0700	700	1400	105	50	225	-
SDDTS6060.0750	750	1500	100	50	250	-
SDDTS6060.0800	800	1600	95	50	275	-
SDDTS6060.0850	850	1700	90	50	300	-
SDDTS6060.0900	900	1800	85	50	325	-
SDDTS6060.0950	950	1900	80	50	350	-
SDDTS6060.1000	1000	2000	75	50	375	-
SDDTS6060.1050	1050	2100	70	50	400	-
SDDTS6060.1100	1100	2200	65	50	425	-
SDDTS6060.1150	1150	2300	60	50	450	-
SDDTS6060.1200	1200	2400	55	50	475	-
SDDTS6060.1250	1250	2500	50	50	500	-
SDDTS6060.1300	1300	2600	45	50	525	-
SDDTS6060.1350	1350	2700	40	50	550	-
SDDTS6060.1400	1400	2800	35	50	575	-



We recommend use the major axis.
Do not dismantle the slide !

The maximum safe load is given for a fully extended pair of slides, mounted on the major axis with a load spread uniformly along the inner beam
Flat mounted slide load capacities are reduced between 60-80%

Material: All stainless steel parts

Beams: 316 L, milled raceways

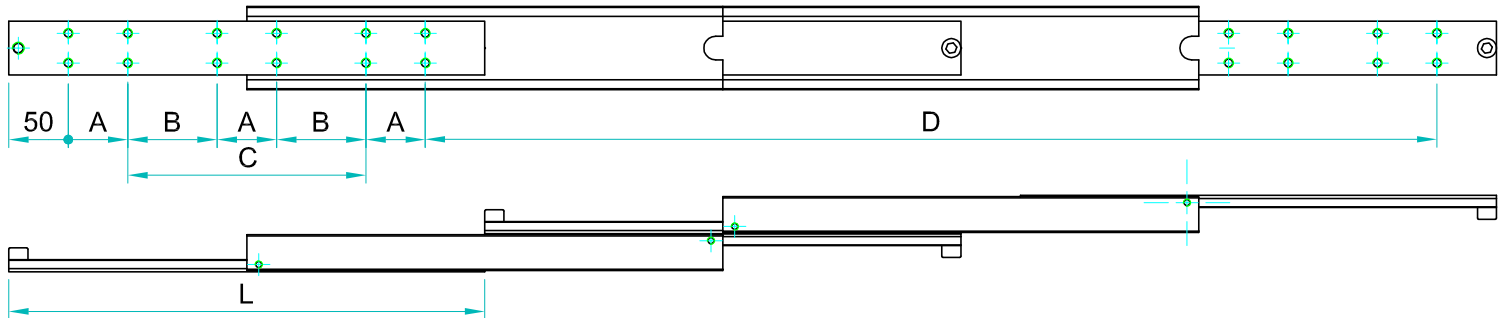
Ball cages: 304 stainless sheet steel .

Ball bearings: 316 L

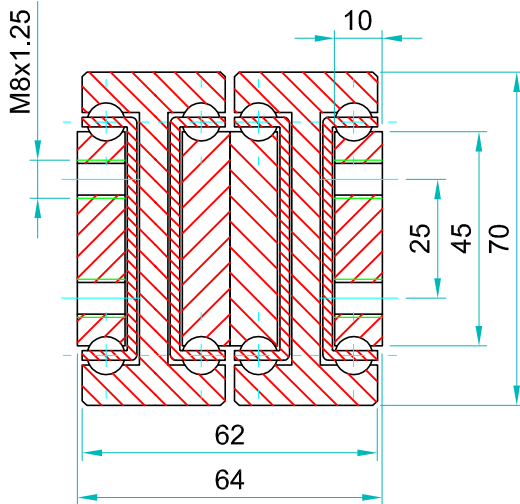
End Bolts: A2

Maximum temperature: We recommend -40 to +200°C with low/high-temp lubrication and free movement to allow for steel expansion.

Note: The slide opening and the hole pattern, can be customized according customer's requirements.



- Options:
 "V" - V shape channel raceways
 "F" - one outer beam countersunk
 "FF"-both outer beams countersunk



We recommend use the major axis.
 Do not dismantle the slide !

The maximum safe load is given for a fully extended pair of slides, mounted on the major axis with a load spread uniformly along the inner beam
 Flat mounted slide load capacities are reduced between 60-80%

Type: SDDTS-70				Hole pattern		
Article number	Instalacion lenght :L	Extension lenght:D	Load per pair: kg	"A"	"B"	"C"
SDDTS7064.0300	300	600	120	50	-	100
SDDTS7064.0350	350	700	122	50	-	150
SDDTS7064.0400	400	800	124	50	-	200
SDDTS7064.0450	450	900	126	50	-	250
SDDTS7064.0500	500	1000	128	50	-	300
SDDTS7064.0550	550	1100	130	50	-	350
SDDTS7064.0600	600	1200	125	50	-	400
SDDTS7064.0650	650	1300	120	50	200	-
SDDTS7064.0700	700	1400	115	50	225	-
SDDTS7064.0750	750	1500	110	50	250	-
SDDTS7064.0800	800	1600	105	50	275	-
SDDTS7064.0850	850	1700	100	50	300	-
SDDTS7064.0900	900	1800	95	50	325	-
SDDTS7064.0950	950	1900	90	50	350	-
SDDTS7064.1000	1000	2000	85	50	375	-
SDDTS7064.1050	1050	2100	80	50	400	-
SDDTS7064.1100	1100	2200	75	50	425	-
SDDTS7064.1150	1150	2300	70	50	450	-
SDDTS7064.1200	1200	2400	65	50	475	-
SDDTS7064.1250	1250	2500	60	50	500	-
SDDTS7064.1300	1300	2600	55	50	525	-
SDDTS7064.1350	1350	2700	50	50	550	-
SDDTS7064.1400	1400	2800	45	50	575	-
SDDTS7064.1450	1450	2900	40	50	600	-
SDDTS7064.1500	1500	3000	35	50	625	-
SDDTS7064.1550	1550	3100	30	50	650	-
SDDTS7064.1600	1600	3200	25	50	675	-

Material: All stainless steel parts

Beams: 316 L, milled raceways

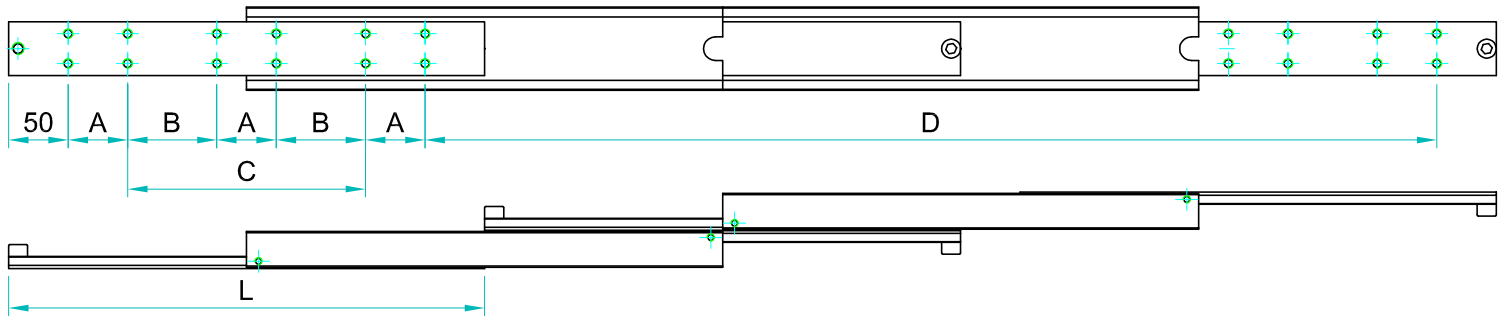
Ball cages: 304 stainless sheet steel .

Ball bearings: 316 L

End Bolts: A2

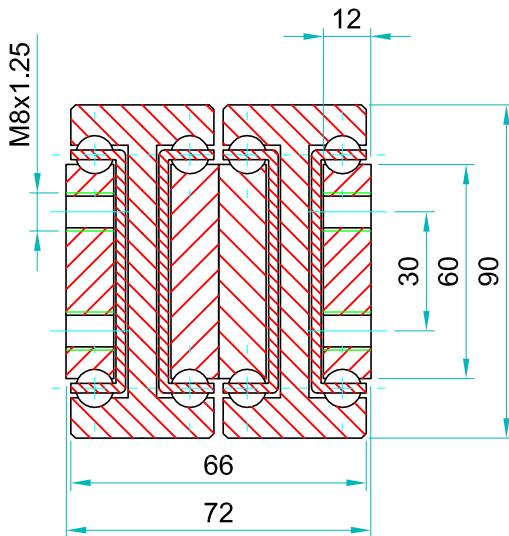
Maximum temperature: We recommend -40 to +200°C with low/high-temp lubrication and free movement to allow for steel expansion.

Note: The slide opening and the hole pattern, can be customized according customer's requirements.



Options:

- "V" - V shape channel raceways
- "F" - one outer beam countersunk
- "FF"-both outer beams countersunk



We recommend use the major axis.
Do not dismantle the slide !

The maximum safe load is given for a fully extended pair of slides, mounted on the major axis with a load spread uniformly along the inner beam. Flat mounted slide load capacities are reduced between 60-80%.

Type: SDDTS-90				Hole pattern		
Article number	Instalacion lenght :L	Extension lenght:D	Load per pair : kg	"A"	"B"	"C"
SDDTS9072.0300	300	600	140	50	-	100
SDDTS9072.0350	350	700	145	50	-	150
SDDTS9072.0400	400	800	150	50	-	200
SDDTS9072.0450	450	900	155	50	-	250
SDDTS9072.0500	500	1000	160	50	-	300
SDDTS9072.0550	550	1100	165	50	-	350
SDDTS9072.0600	600	1200	170	50	-	400
SDDTS9072.0650	650	1300	160	50	200	-
SDDTS9072.0700	700	1400	150	50	225	-
SDDTS9072.0750	750	1500	140	50	250	-
SDDTS9072.0800	800	1600	135	50	275	-
SDDTS9072.0850	850	1700	130	50	300	-
SDDTS9072.0900	900	1800	125	50	325	-
SDDTS9072.0950	950	1900	120	50	350	-
SDDTS9072.1000	1000	2000	115	50	375	-
SDDTS9072.1050	1050	2100	110	50	400	-
SDDTS9072.1100	1100	2200	105	50	425	-
SDDTS9072.1150	1150	2300	100	50	450	-
SDDTS9072.1200	1200	2400	95	50	475	-
SDDTS9072.1250	1250	2500	90	50	500	-
SDDTS9072.1300	1300	2600	85	50	525	-
SDDTS9072.1350	1350	2700	80	50	550	-
SDDTS9072.1400	1400	2800	75	50	575	-
SDDTS9072.1450	1450	2900	70	50	600	-
SDDTS9072.1500	1500	3000	65	50	625	-
SDDTS9072.1550	1550	3100	60	50	650	-
SDDTS9072.1600	1600	3200	55	50	675	-

Material: All stainless steel parts

Beams: 316 L, milled raceways

Ball cages: 304 stainless sheet steel .

Ball bearings: 316 L

End Bolts: A2

Maximum temperature: We recommend -40 to +200°C with low/high-temp lubrication and free movement to allow for steel expansion.